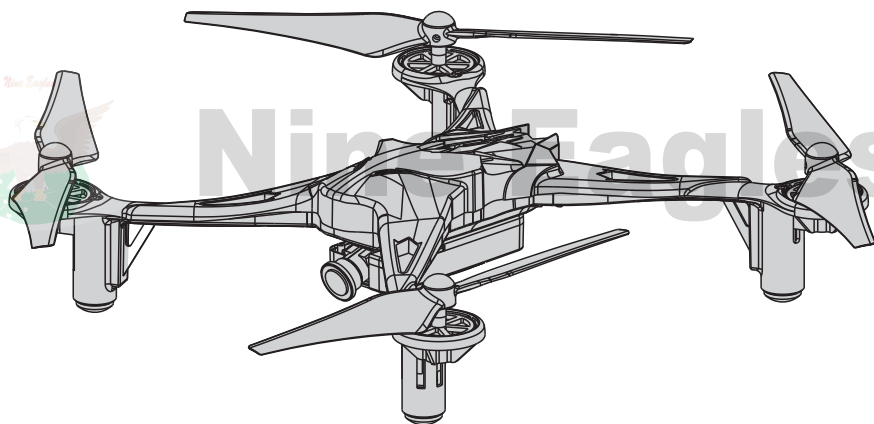




**Nine Eagles®**

# **GALAXY VISITOR 6**

**NE-MASF 15 2.4GHz 4CH QUADCOPTER  
INSTRUCTION MANUAL**



Shanghai Nine Eagles Electronic Technology Co.,Ltd

NE-MASF 15 20140926

# Catalog

## I .Introduction

1.Technology support .....	1
2.Intellectual property .....	1
3.Safety precautions .....	1

## II Brief Introduction

1、Kit contents .....	2
2、Specification and parameter .....	2
3、Model and specification of main parts .....	3
4、WIFI camera's specifications and parameters .....	3

## III Operation Manual

1.Charging Li-po battery .....	3
2.Battery installation for transmitter .....	4
3.Transmitter instruction .....	4
1)Transmitter function description .....	4
2)High rate/Low rate switch .....	5
3)Gains setting .....	5
4)Transmitter calibration .....	6
4.Transmitter controls .....	6
1)Left/right movement .....	6
2)Back/forth movement .....	6
3)Rise/decline .....	7
4)Horizontal rotating .....	7
5.Flying .....	7
1)Turn on transmitter .....	7
2)Connect quadcopter with li-po battery .....	8
3)Flying precaution .....	8
4)Take off .....	8
5)Hovering .....	8
6)Landing .....	8
7)Flip .....	9
8)Basic practice.....	9
9)Acceleration sensor calibration.....	9
6.Video and photo shooting.....	10
1) Video shooting .....	10
2) Photo shooting.....	10
3) Reading data .....	11

## IV.Exploded drawing and part list

1.Exploded drawing .....	12
2.Part list .....	13

## V.Safety and environment protection

Safety and environment protection.....	14
--	----

## 1. Introduction

### 1. Technology support:

"Shanghai Nine Eagles Electronic Technology Co., Ltd" guarantees that all the products have been strictly inspected and tested before export from factory.

For technology update or operation modification, please visit [www.nineeagle.com](http://www.nineeagle.com) and click links to related remarks.

Any new technology alteration will be informed at relative website.

Any question or inquiry, please contact: [sales@nineeagle.com](mailto:sales@nineeagle.com)

You can also call: 0086-21-52919366.

You can also contact with local agent to get technology support and necessary parts.

There is detailed exploded drawing and part list in page 12 and 13 of instruction manual, which can help you recognize the needed parts.

### 2. Intellectual property:

The intellectual property of product and manual belongs to Shanghai Nine Eagles Electronic Technology Co., Ltd. any organization and individual are forbidden to copy in any form.

### 3. Safety precaution:

Follow these safety precautions when operating this or any model quadcopter.

- Keep your face and body as well as spectators away from the plane of rotation of the rotors whenever the battery is connected.
- Keep these items away from the rotors: loosing clothing, shirt sleeves, ties, scarf, long hair or loose objects such as pencils or screwdrivers that may fall out shirt or jacket into the rotors.
- The spinning blades of model quadcopter can cause serious injury.
- When choosing a flying site, stay clear of buildings, trees and power lines.
- Avoid flying in or near crowded areas.
- Do not fly close to people, children or pets.
- Maintain a safe pilot-to-quadcopter distance while flying
- GALAXY VISITOR 6 should not be considered a toy, but rather a sophisticated, working model that functions very much like a full-size quadcopter. Because of its performance capabilities, if not operated correctly, could cause injury to yourself or spectators.
- Do not alter or modify the model, as doing so may result in an unsafe or unflyable model.
- You must check the operation of the model before every flight to insure that all equipment is operating and the models

has remained structurally sound. Be sure to check the linkage and or other connectors often and replace them if they show any signs of wear or fatigue.

## II. Brief introduction

Thanks you for purchasing GALAXY VISITOR 6 quadcopter produced by Shanghai Nine Eagle Electronic Technology Co., Ltd (hereinafter referred to Nine Eagle Technology). We are certain you will get many hours of enjoyment out of this model.

GALAXY VISITOR 6 quadcopter is 2.4GHz 4 channel model quadcopter, whose controller internally installed three-axis gyro and three-axis accelerating sensor with excellent control function.

GALAXY VISITOR 6 quadcopter are easy to operate, steady in flight, easy to control. It can fly indoors also can fly outdoor, which are the best choice for model airplane fan.

Please read this instruction carefully before your flight in order to guarantee the safety of you and the others.

### 1. RTF kit contents:

RTF products contain below parts, if any parts are missing, damaged or defective, please contact with local dealer. When report the defective or missing parts, please be sure to use the name written on the kit contents list.



- 1)、Quadcopter
  - 2)、Transmitter (Only for RTF version)
  - 3)、4pcs AA batteries
  - 4)、USB charger
  - 5)、Li-po battery
  - 6)、Accessory kit
  - 7)、Camear
  - 8)、2GB Micro SD card
  - 9)、SD card reader
  - 10)、Mobile phone holder
- Note: Different version has different configuration.

### 2.Specification and parameter:

Main blade diameter: 160 mm  
 Overall length: 199 mm  
 Diagonal length: 240 mm  
 Overall height: 54 mm  
 Flying weight: about 115g



### 3. Main parts model and specification :

Transmitter: NE-TXOS216-D, 2.4GHz 4CH

Receiver: NE-MASF15

Charger: NE-CH1020M USB Charger

Motor: 8520 DC motor

Battery: 3.7V 700mAh Li-po battery

### 4. WIFI camera's specifications and parameters :

Memory: Accepts up to 32G Micro SD card

Camera Size: 45mm L x 25mm W x 8mm H

Codec Video: Motion JPEG, 1280X720, 30fps, file extension . flv


Codec Audio: Mono

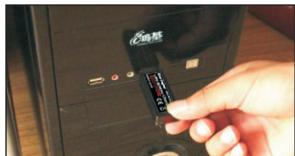
Still Image Capture: 1280 x 720, 96 dpi, file extension .jpg

WIFI Control Distance: About 100 meters (No Interference and No obstacles)

## III. Operation Manual

### 1. Charging the Li-po battery :

 **Warning!** ! The charger contains protective circuitry. If you experience any difficulties while charging the battery, please disconnect the battery from the charger and unplug the charger from the power source. Allow the battery and the charger to rest for two hours as this will allow the charger protection circuit to rest. If this issue re-occurs during normal use, please contact technical support for further assistance.



- 1) Plug the USB charger into your USB port.
- 2) Plug the Li-po battery into the USB charger. The power indicator light on the charger turns to solid on. It means charging. Once charging is finished, the power indicator light will flash slowly. Please pull them out.

Below table shows different status in charging.

Charger status	Charger indicator status
To be charged	Off
Charging	Solid on
Full charge	Slow flash
Charging error	Quick flash

This USB charger can recognize different charger power supply sources. When using computer as the power supply source, the charging current is about 500mA and the rough charging time will be 70 minutes. When using adaptor with USB interface as the power supply source, the charging current is about 1000mA and the rough charging time will be 45 minutes.

## 2. Install the Transmitter Battery

- 1) Remove the battery cover. (picture1)
- 2) Install 4pcs AAA batteries and check the polarity of each battery. Transmitter won't power on if battery wrongly installed. (picture2)
- 3) Slide the battery cover back into place (picture3)



picture1



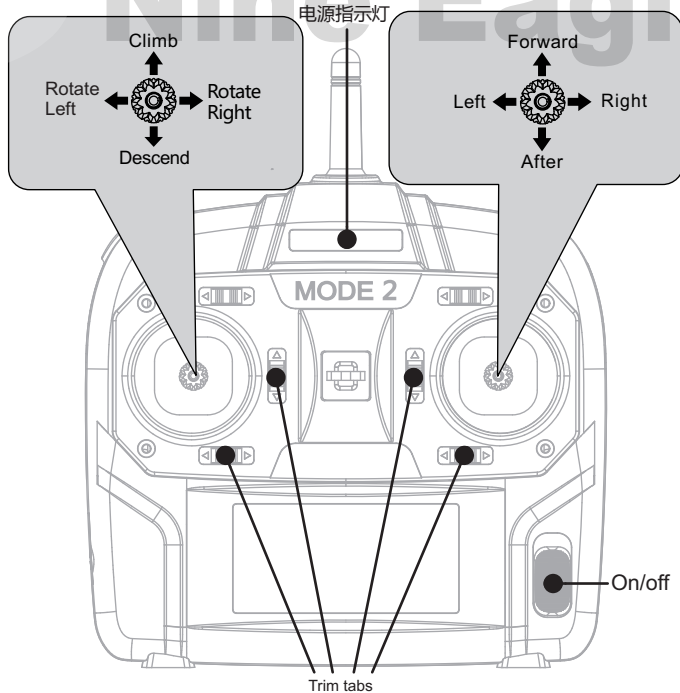
picture2

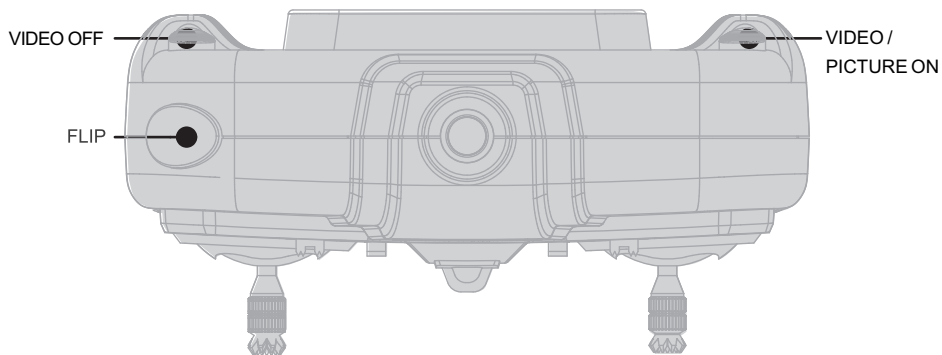


picture3

## 3. Transmitter Instruction:

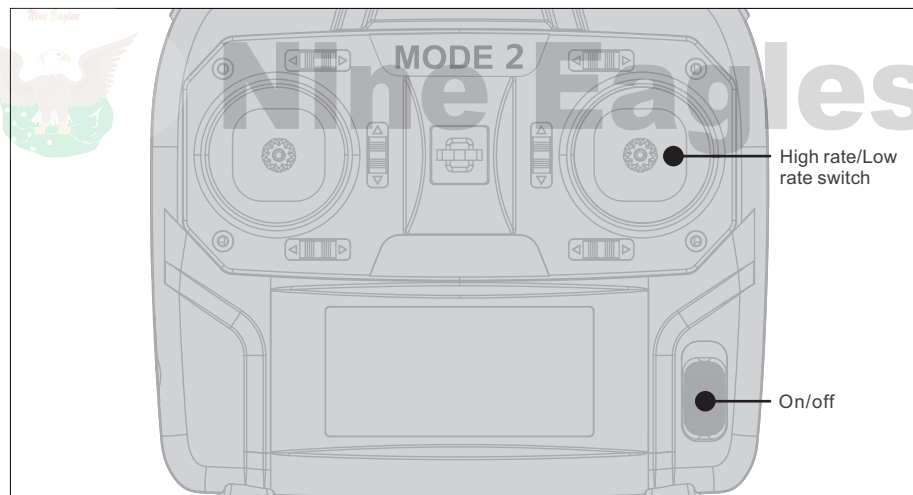
- 1) Transmitter Functions (take MODE2 as example)





All controls are described with the tail pointing directly toward you. This is the best way to fly in the beginning since it keeps the control inputs oriented the same direction. Once you start getting comfortable you can work on side hovering and nose-in.

### 2)High rate/Low rate switch



The transmitter has dual rate switch function. It provides two different control rates, please use low rate until you become accustomed to your GALAXY VISITOR 6.

Quickly press right stick one time and transmitter will sound "Bi" between high rate and low rate. The voice "Bi" sounds loud and clear when low rate turns to high rate. The voice "Bi" sounds not loud when high rate turns to low rate.

Quadcopter flight performance is more flexible under the high rate mode.

### 3)Gain setting

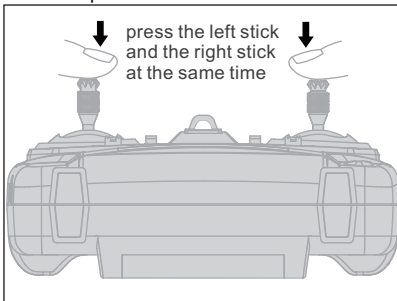
Power on the transmitter and connect li-po battery to the quadcopter.

Press the right stick and keep pressing. The constant voice "Bi" will appear. Now the transmitter enters into gain setting mode.

Push throttle stick upper to the value you need. The voice will turn to incontinuous "Bi, Bi, Bi". Then release the right stick and then the transmitter will save the value.

#### 4) Transmitter calibration

When quadcopter can not do hovering and fly to one side, we need to do calibration by following the below steps.



A. Power on transmitter.

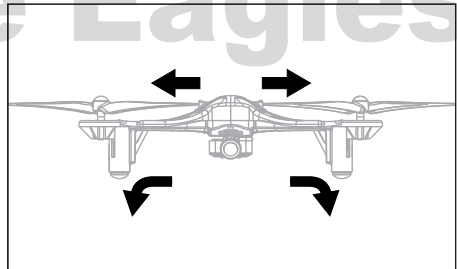
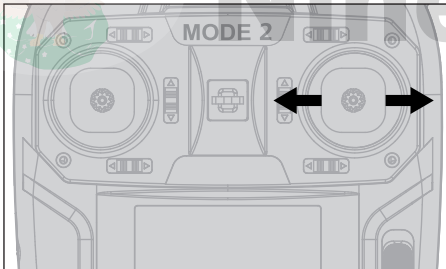
B. Press the left stick and the right stick at the same time, wait until the transmitter sounds "Bi, Bi, Bi, Bi". Now the transmitter enters into calibration mode.

C. Move the right stick to its maximum position in four direction: up, down, left and right. Then move the right stick to its middle position. Repeat the above operation to the left stick.

D. Push the rudder trim button to the right for one time, then the transmitter will quit calibration.

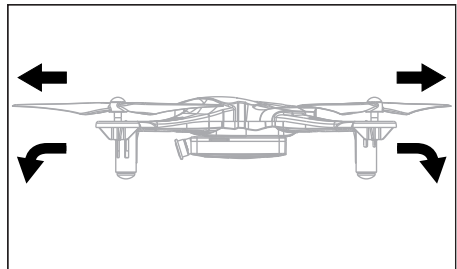
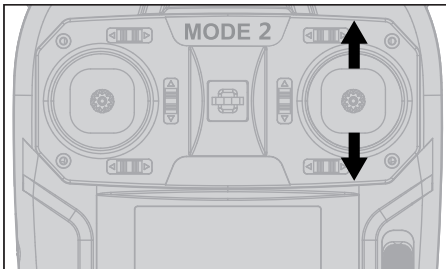
## 4. Transmitter controls

### 1) Left or Right.



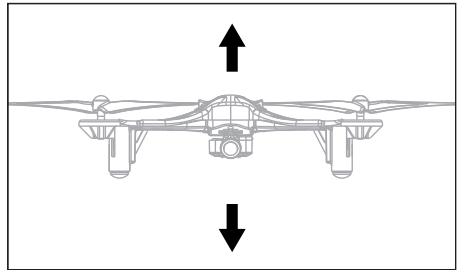
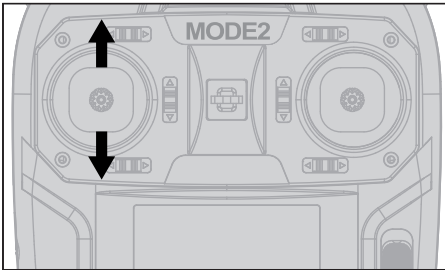
Moving aileron stick left or right will cause the quadcopter tilt and start moving that direction.

### 2) Backward or Forward



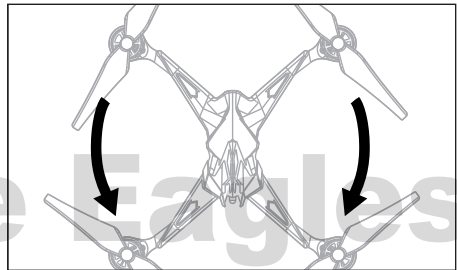
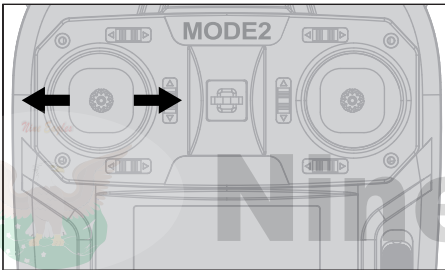
Moving elevator stick forward or backward will cause the quadcopter to tilt and start moving that direction.

## 3)Climb or Descend



Moving the throttle stick up or down will cause the quadcopter to climb or descend

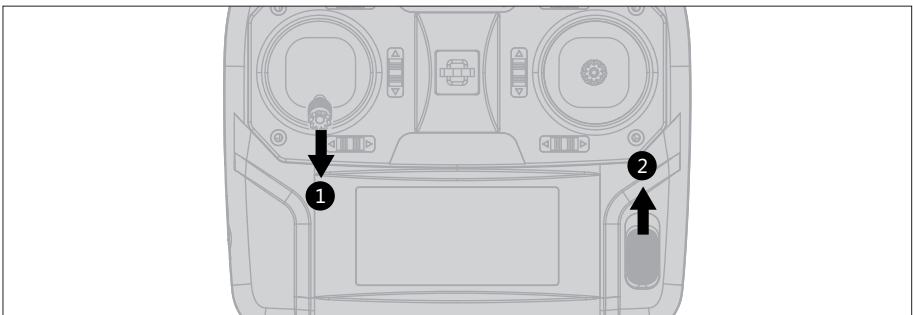
## 4)Nose Rotates



Moving the tail rotor stick left or right will cause the quadcopter nose to rotate that direction

## 5.Flying

## 1)Power on transmitter



①Move the throttle stick to the lowest position;

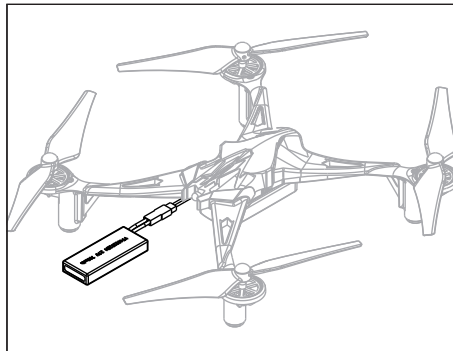
②turn on transmitter

As picture shown: Move the throttle stick to the lowest position, and turn on transmitter.

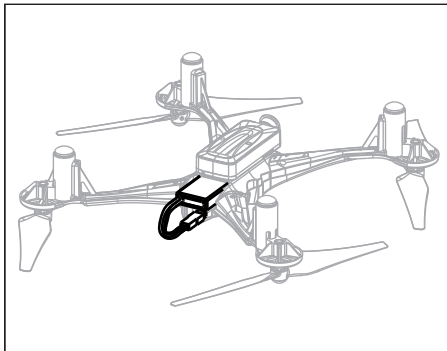


Warning: Before connecting battery to quadcopter, please make sure the throttle stick at the lowest position. Rotating rotor blades are very dangerous! Please strictly follow this point to avoid injury or hurt.

## 2)Connect quadcopter and Li-po battery



Picture1



Picture2

Put quadcopter in horizontal level, and then connect li-po battery to quadcopter. During this stage, please don't touch quadcopter body and keep it still and quiet till initialization is done.

After 5 seconds, put li-po battery into the battery compartment.

Please note that after initialization is done, the tail indicator light will turn to solid on. The front and back indicate light will be solid on.

GALAXY VISITOR 6 has a safe start feature that prevents motor working unless the throttle stick has been lowered to the lowest position.

If motor doesn't work, main rotor blade doesn't spin, please make sure the throttle stick is on the lowest position and leave it there for few seconds. Then trying to move throttle stick slowly.

## 3)Flying precaution

GALAXY VISITOR 6 is a lightweight quadcopter that is suggested to fly indoor or in calm winds less than 5mph. It should be flown in a large area of at least 15 m<sup>2</sup> without obstacles.

## Crash

If you have operated radio control models in the past, then you probably already realize that it is not a matter of "if" you are going to crash, it is a matter of "when" you are going to crash. Once you realize the model is going to collide with something or crash into the ground, you should always keep throttle stick at the lowest position to stop the main rotor blades from rotating. If you can remember to do this, chances are you will not damage the quadcopter in the crash. The main rotor blades carry a lot of RPM and inertia during flight. Cutting the power to the main rotor blades will prevent most of crash damage.

## 4)Takeoff

Slowly add power, observe the model and make all of necessary corrections to keep the model level. When the quadcopter hovers, you only need to control the throttle stick.

## 5)Hovering

Once the quadcopter is up in the air, try to hold the quadcopter in one spot. If this is your first model quadcopter, it will require some practice. Wind or air currents have a big effect on the stability of quadcopter. Be patient and try to anticipate where the quadcopter will move.

## 6)Landing

Level the quadcopter into a steady hover and slowly decrease power until the quadcopter lands on the ground.

## 7)Flip

Please press the Flip button on the top left corner of the transmitter one time, then move the right stick to any direction to its maximum position. The quadcopter will Flip 360°in that direction where your right stick goes.

## 8)Basic maneuvers

**“Tail towards pilot”:**

Firstly turn the quadcopter tail towards to you without deflection.

Then moving elevator stick forwards slowly and quadcopter will fly forwards at slow speed. And moving elevator stick backwards slowly and quadcopter will fly backwards at slow speed. Practicing again and again till you feel comfortable on it.

After that, moving the aileron stick left, the quadcopter will move left. And moving the aileron stick right, the quadcopter will move right. Practicing again and again till you feel comfortable on it.

**“Slowly Rotation”:**

Add a small amount of tail rotor stick (left or right) and try rotating the quadcopter slightly sideways and see if you can hold it there.

If you feel uncomfortable, then bring the tail back towards you. Practicing again and again until you feel comfortable on rotation.

The quadcopter will probably drift during these practicing, so make sure you have plenty of room. After above practicing, if you feel comfortable, moving aileron stick left that will cause quadcopter to move left, then rotate quadcopter 90 degrees clockwise, and then moving aileron stick right that will cause quadcopter to move right. Then rotate quadcopter 180 degrees and fly to left side.

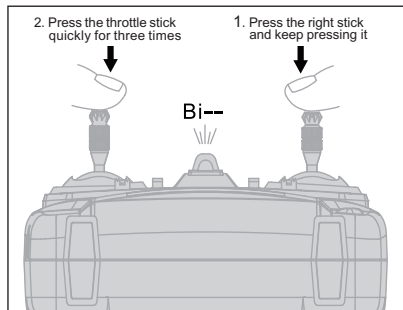
You also can move elevator stick forward that will cause quadcopter to move forward, then rotate quadcopter 180 degrees clockwise, then make quadcopter fly backwards to you. Then rotate quadcopter 180 degrees clockwise and make quadcopter fly forward to you.

After practicing as above, you will get to know the basic flight knowledge. But it needs time to practice, the more time you spend practicing the easier things will be on. Every practice is a different challenge that brings you a lot of fun!

Good luck and enjoy your flying!

## 9)Acceleration sensor calibration

If quadcopter nose-rotating is not normal, we need to do acceleration sensor calibration.

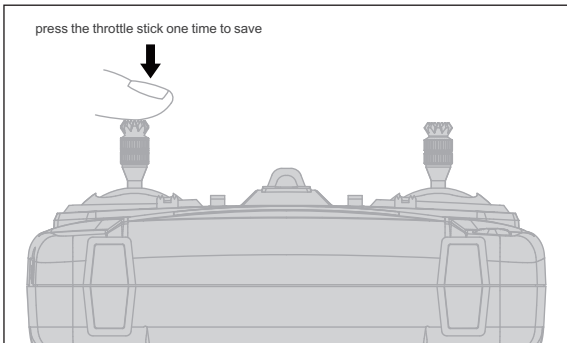


A. Please follow the instructions Power on transmitter and Connect quadcopter and Li-po battery on Section 5.

Flying. Make sure to keep the quadcopter stay still and quite on flat surface, now the tail indicator light will be solid on.

B. Make sure the throttle stick (the left stick) at its lowest position. Press the right stick and keep pressing it. Then press the throttle stick (the left stick) quickly for three times in a very short time. When the transmitter makes a “Bi” sound, the transmitter is in calibration mode, then loosen both the left and right stick (As left picture shown).

C. Push the throttle trim button upwards and then the tail indicator light turns to quickly flashing.

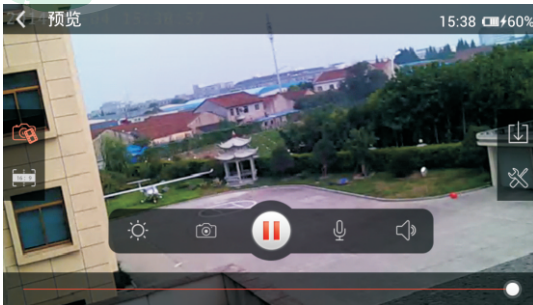


D. During its flashing, press the throttle stick (the left stick) one time to save. Finally the tail indicator light will be solid on. Acceleration sensor calibration is done (As left picture shown).

## 6. Video and photo shooting

### (1) Video Shooting

Power on transmitter by following instruction and connect LI-PO battery to quadcopter. Then open the software on mobile phone and link camera. After successfully linked, the live image will be shown in mobile phone screen.



Press button "VIDEO /PICTURE ON" one time on the top right corner of transmitter backside, and WIFI camera will start camera shooting. Press button "VIDEO OFF" one time on the top left corner of transmitter backside to stop shooting and save videos.

### (2) Photo Shooting

Method 1: Under above video shooting mode, press the button "VIDEO /PICTURE ON" one time on the top right corner of transmitter backside, WIFI camera will take one picture. If camera is not in video shooting mode, please press the button "VIDEO/PICTURE ON" one time to enter into video shooting mode. Then press again "VIDEO/PICTURE ON" to take one picture.

Method 2: Click the mobile screen and camera control icon will appear on the screen. Then click the camera control icon, it will take one picture.



(3)Reading Data

Please read data as following steps after video/photo shooting:

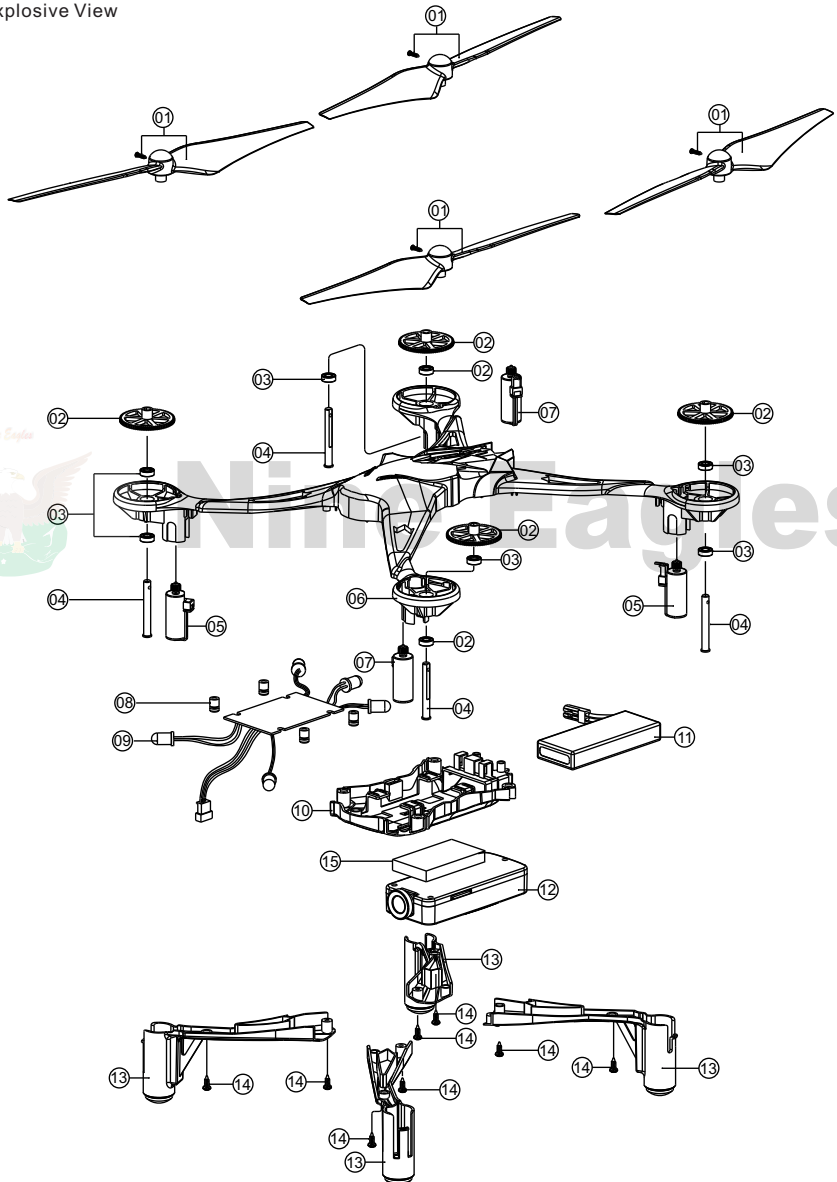
- 1) Disconnect quadcopter LI-PO battery.
- 2) Take out SD card.
- 3) Insert SD card into the USB card reader.
- 4) Connect USB card reader to USB interface of the computer.
- 5) Find video/photo in “portable storage” in your computer.



# Nine Eagles®

IV. Explosive View and Spare Parts List

1. Explosive View



## 2.Spare Parts List

序号	物料编号	物料名称	规格
1	Ne401055	main blade set (red and black)	NE-MASF15/ NE International
	NE401038	main blade set (green and black)	NE-MASF15/ NE International
	NE401039	main blade set (grey and black)	NE-MASF15/ NE International
2	NE401057	gear set	NE-MASF15/ NE International
3	NE400859	bearing set	NE-MASF12/ NE International
4	NE401059	main shaft	NE-MASF15/ NE International
5	NE401012	reverse motor	NE-MASF15/ NE International
6	NE401036	upper main frame (red)	NE-MASF15/ NE International
	NE401058	upper main frame (green)	NE-MASF15/ NE International
	NE401061	upper main frame (grey)	NE-MASF15/ NE International
7	NE401011	corotation motor	NE-MASF15/ NE International
8	NE401037	rubber ring	NE-MASF15/ NE International
9	NE480387	receiver	NE MASF15/ NE International
10	NE401040	lower main frame	NE-MASF15/ NE International
11	NE480379	Li-po battery	NE-MASF24/ 3.7V 700mAh 35C JST Interface, wire length 25mm/NE international
12	NE480378	WIFI camera set	NE-OT015/NE International
13	NE401060	LED light cover (green)	NE-MASF15/NE International
	NE401041	LED light cover (red)	NE-MASF15/NE International
	NE401062	LED light cover (grey)	NE-MASF15/NE International
14	NE401056	screw set	NE-MASF15/NE International
15	NE401063	double side tape	NE-MASF15/NE Internationa
	NE480368	USB intelligent charger	NE-CH1020M (JST Interface)/NE International
	NE480376	JFQ transmitter	NE-TXOS216-D/Mode 2/NE International
	NE480377	JFQ transmitter	NE-TXOS216-D/Mode 1/NE International
	NE400703	SD card (2GB)	NE-MASF07/NE International
	NE400722	SD card reader	NE-MASF07/NE International
	Ne401042	mobile phone holder	NE-OT016/NE International

## V. Safety and environment protection

### 1.WARNING AND FCC INFORMATION

GALAXY VISITOR 6 4CH QUADCOPTER is not a toy.Children under 14 years old are strictly forbidden from flying this aircraft.

You must fly this aircraft safely.

When flying or preparing the aircraft for flight you should strictly adhere to the instructions.Ensure that yours and other people's hands,and face are kept away from the rotating parts.

Always unplug the aircraft battery before turning off the transmitter when the aircraft is stopped.

Aircraft uses a lithium polymer battery.Always adhere to operating instructions for the lithium polymer battery to avoid accidents such as combustion or explosion.

Always use a genuine Nine Eagles charger and power adaptor designed for this aircraft.

Always unplug the charger and adapter from the electrical outlet after completion of each charge.

Never store or transport the battery with metal objects.

Never disassemble the battery.

Never use wet hands when in contact with the charger,battery or power adaptor.

When you fly the aircraft,keep distance from other electrical equipment,magnetic objects,wireless devices.etc,to avoid interference and accidents

### 2.FCC statement

This device complies with Part 15 of the FCC Rules.Operation is subject to the following two conditions:

This device may not cause harmful interference.

This device must accept any interference received,including interference that may cause undesired operation.

Changes or modifications not expressly approved by the party responsible for compliance could void the user's authority to operate the equipment.

NOTE:This equipment has been tested and found to comply with the limits for a Class B digital device,pursuant to Part 15 of the FCC Rules.These limits are designed to provide reasonable protection against harmful interference in a residential installation.

This equipment generates uses and can radiate radio frequency energy and,if not installed and used in accordance with the instructions,may cause harmful interference

in a particular installation. If this equipment does cause harmful interference to radio or television reception, which can be determined by turning the equipment off and on, the user is encouraged to try to correct the interference by one or more of the following measures:

Reorient or relocate the receiving antenna.

Increase the separation between the equipment and receiver.

Connect the equipment into an outlet on a circuit different from that to which the receiver is connected.

Consult the dealer or an experienced radio/TV technician for help.

# CE2200

## Instructions for disposal of WEEE by users in the European Union

The Code



This product must not be disposed of with other waste. Instead, it is the user's responsibility to dispose of their waste equipment by handing it over to a designated collection point for the recycling of waste electrical and electronic equipment. The separate collection and recycling of your waste equipment at the time of disposal will help to conserve natural resources and ensure that it is recycled in a manner that protects human health and the environment. For more information about where you can drop off your waste equipment for recycling, please contact your local city office, your household waste disposal service or where you purchased the product.

## Li-Po battery safety guidelines



Lithium Polymer batteries are significantly more volatile than alkaline or NiCd/NiMH batteries used in RC applications. All manufacturer's instructions and warnings must be followed closely. Mishandling of LiPo batteries can result in fire. Always follow the manufacturer's instructions when disposing of Lithium Polymer batteries.

**If you are unsure of how to charge the battery included in this product, please seek the advice of your local hobby shop**



### WARNING :

The packaging and instruction manual contain important information, please keep it forever.

### Warning

Charging and discharging the batteries has the potential for fire, serious injury to persons and damage to property. The user of this battery agrees to accept responsibility for all such risks. Nine Eagles, its affiliates, distributors, and retail partners can not control the use, application, charging of installation of this product and shall not be held responsible for any accident, injury to persons, or damage to property resulting from the use of children and pets. Children under the age of 18 must be supervised by a responsible adult. Children under 14 years of age should not be permitted to use this product under any circumstances. This product contains no chemicals known to the State of California to cause cancer, birth defects and other reproductive harm.

### Li-Po battery warranty

This product is warranted against defects in original material and workmanship only. No term warranty is offered with this product. In no case shall Nine Eagles liability be greater than the actual retail purchase price of this product.

### Specific safety guidelines

- ① Store in a fire proof container and charge on an open fire proof surface.
- ② Charge in a protected area devoid of combustibles. Never leave the charging process unattended.
- ③ In the event of damage carefully remove the battery to a safe place to observe for at least half an hour. Damaged batteries are likely to explode. Never attempt to charge a damaged battery, no matter how slight the damage. Dispose of damaged batteries as the instructions in part 'Disposal of Li-Po batteries'.
- ④ Only use the Nine Eagles balanced charger designed for this battery. Never use chargers designed for Ni-CD batteries. If the batteries show any sign of swelling, remove them to a safe place outside as they could erupt into flames.
- ⑤ MOST IMPORTANT- Never plug in a battery and leave to charge overnight. Serious fires have been resulted from this practice.
- ⑥ Do not attempt to make your own battery packs from individual cells.

### If the battery pack involved in a crash or is otherwise damaged

Remove the pack from the model.

Inspect the pack for damage to the wiring or connections.

If necessary, disassemble the pack and dispose of any damaged cells

### Disposal of Li-Po batteries

Put the pack in a safe open area and connect a moderate resistance across the cell terminals until the cell is completely discharged.

CAUTION: The pack may get extremely hot during discharge.

Puncture the plastic envelope and immerse in salt water for several hours.

Place in your regular rubbish bin.



# Nine Eagles®



# Nine Eagles®

## **Nine Eagles — Technology**

Shanghai Nine Eagles Electronic Technology CO.,LTD

ADD:No.818,Fengrao Road,Malu, Jiading District,Shanghai,p.r.c.

Tel:0086-21-52919366

Fax:0086-21-52919361

<http://www.nineeagle.com>

E-mail:[sales@nineeagle.com](mailto:sales@nineeagle.com)